

**ARRONE**

**Electro Magnetic Door Controls**

# Electro Magnetic Door Closer

## Electro Magnetic Door Closers

Brought to you in partnership with Jebron, one of the UK's leading manufacturers of door controls. The ARRONE Range of Electro Magnetic units complements our traditional door closer range.

Electro Magnetic door controls offer the specifier and end user a solution to the difficult problem of balancing accessibility with fire containment. As such this range is ideal for use in hospitals and residential homes.

Designed for situations where it is desirable to have a fire resisting door either hold open or free swinging under normal conditions, whilst maintaining the integrity of the fire door in a fire situation.

When used in either swing free or hold open application the door will automatically close upon activation of the fire alarm or power failure. Also included is a test switch for regular testing of the unit.

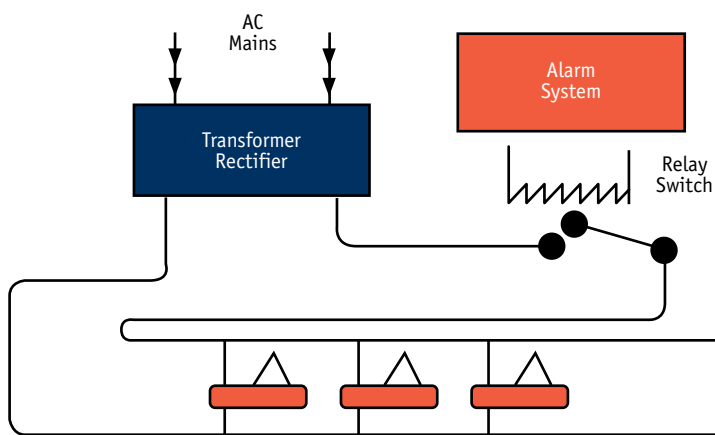
## Performance - in accordance with BS EN1155

Power Size	Max Door Width	Max Door Weight
3	950mm	60kg
4	1100mm	80kg

## Power Supply

24v DC. Transformer rectifiers are available to operate up to 50 units.

## Installation



## External Use

Electro Magnetic door closers MUST NOT be used in external or wet area applications.

## Door Closers Finishes and Colours



Silver



Gold



Polished Brass



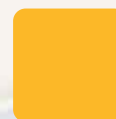
Polished & Satin Stainless Steel/Chrome



Red (Rouge)  
RAL 3003



Claret  
RAL 3005



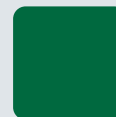
Golden Yellow  
RAL 1004



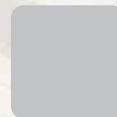
Cobalt Blue  
RAL 5002



Midnight Blue  
RAL 5003



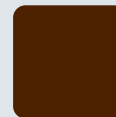
Green (Viridian)  
RAL 6016



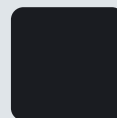
Dove Grey  
RAL 7036



Flint Grey  
RAL 7043



Brown (Sienna)  
RAL 8017



Black (Ebony)  
RAL 9017



Diamond White  
RAL 9016

Due to the limitations of the printing process we suggest that your final choice of finish is checked against the actual product.

## Electro Magnetic Door Closers

**AR1998/9**

Electro magnetic door closer (selectable size 3/4)

### Standard Features:

- Selectable hold open - swing free
- Power size 3-4 selectable in accordance with BS EN1155
- Universal application fig 1.66
- Cam and roller mechanism
- Adjustable latch action
- Adjustable closing speed
- Full metal radius cover
- Flexible link and terminal box
- Switch for testing purposes

### Standards:

This product has been successfully type-tested for conformity to all the requirements of BS EN1155. Test reports and/or certificates are available upon request

### Finish:

- Silver and gold
- Polished brass
- Polished and satin stainless steel
- RAL colours

### Guarantee:

The mechanism is guaranteed for 1 year against all faults in manufacture or material in the UK, Isle of Man and Channel Islands. This warranty is subject to the appropriate size and model of door closer being used, fixed, adjusted and maintained in accordance with the manufacturers recommendations.

## Accessories

<b>AR-TR10</b>	Transformer rectifier unit inc fuse (1-10 closers)
<b>AR-TR30</b>	Transformer rectifier unit inc fuse (1-30 closers)
<b>AR-TR50</b>	Transformer rectifier unit inc fuse (1-50 closers)



# Electro Magnetic Floor Springs

## Electro Magnetic Floor Springs

Complementing our floor spring range this electro magnetic unit features hold open and is ideal for use on heavy duty fire resisting doors.

Often used in conjunction with a detector/alarm system, holding open at any angle between 80° and 170° when the device is energised.

When used in this hold open application the door will automatically close upon activation of the fire alarm or power failure.

Ideal for use in hospitals, nursing homes and any building frequented by elderly people where free access is required.

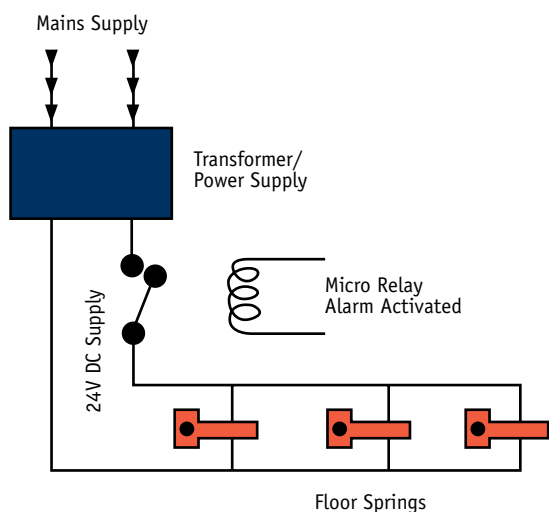
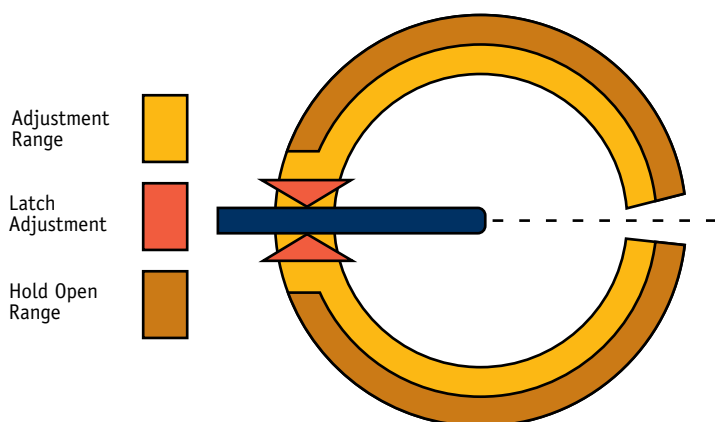
## Performance

Power size 4 suitable for doors up to 1100mm wide/300kg weight.

## Power Supply

24v DC. Transformer rectifiers are available to operate up to 50 units.

## Installation



## External Use

Electro Magnetic floor springs **MUST NOT** be used in external or wet area applications.

## Electro Magnetic Floor Springs

### AR800 EMS0

Electro magnetic floor spring

#### Standard Features:

- Cast iron body giving strength and durability
- Power size 4
- Electro magnetic hold open
- 24v DC power supply
- Double cam action providing perfect centering on double action doors for life
- Steel loose box with adjustable fittings
- Temperature stabilised fluid, together with thermo constant valve to overcome temperature variance
- Switch for timber/metal doors

#### Application:

Heavy duty commercial application where 'hold open' is required

#### Finishes:

- Polished brass
- Polished and satin stainless steel

#### Guarantee:

The mechanism is guaranteed for 5 years against all faults in manufacture or material in the UK, Isle of Man and Channel Islands. This warranty is subject to the appropriate size and model of floor spring being used, fixed, adjusted and maintained in accordance with the manufacturers recommendations.

## Accessories

<b>ARSAAP</b>	Single action accessory pack 1x single action top centre, 1x single action bottom strap
<b>ARDAAP</b>	Double action accessory pack 1x double action adjustable top centre, 1x double action bottom strap
<b>AR-TR10</b>	Transformer rectifier unit inc fuse (1-10 closers)
<b>AR-TR30</b>	Transformer rectifier unit inc fuse (1-30 closers)
<b>AR-TR50</b>	Transformer rectifier unit inc fuse (1-50 closers)



# Electro Magnetic Door Holders

## Electro Magnetic Door Holders

Electro magnetic door holders are designed to hold the door in the OPEN position, allowing it to close when either the FIRE ALARM is activated or the POWER FAILS. Recommended for use in conjunction with overhead door closer or floor springs.

<b>AR-8087</b>	Surface mounted door holder white
----------------	-----------------------------------

<b>AR-8057</b>	Floor mounting bracket white
----------------	------------------------------

<b>AR-8159-CH</b>	Flush mounted door holder polished chrome
-------------------	---

<b>AR-8159-PB</b>	Flush mounted door holder polished brass
-------------------	--

<b>AR-8259-CH</b>	Flush mounted door holder with switch polished chrome
-------------------	---

<b>AR-8259-PB</b>	Flush mounted door holder with switch polished brass
-------------------	--

## Accessories

<b>AR-TR10</b>	Transformer rectifier unit inc fuse (1-10 closers)
----------------	--

<b>AR-TR30</b>	Transformer rectifier unit inc fuse (1-30 closers)
----------------	--

<b>AR-TR50</b>	Transformer rectifier unit inc fuse (1-50 closers)
----------------	--

Note: Not to be used in external or wet area applications.



AR-8159-PB



AR-8259-PB

